

THIS DRAWING IS UNPUBLISHED.

RELEASED FOR PUBLICATION

20

LOC

DIST

REVISIONS

© COPYRIGHT 20 BY -

ALL RIGHTS RESERVED.

DY

-

P LTR

DESCRIPTION

DATE

DWN APVD

E4

ADD new p/n with width cavity

15APR15

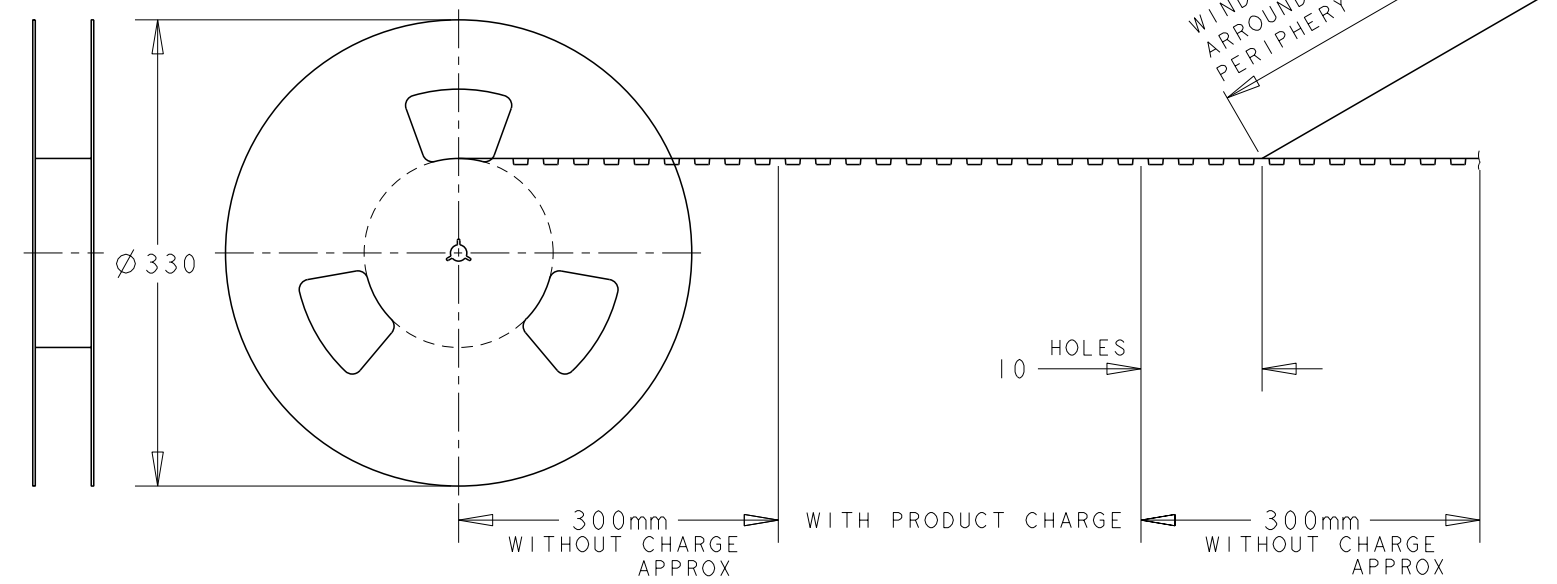
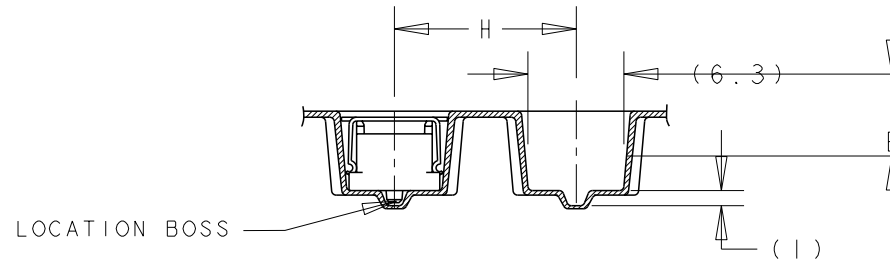
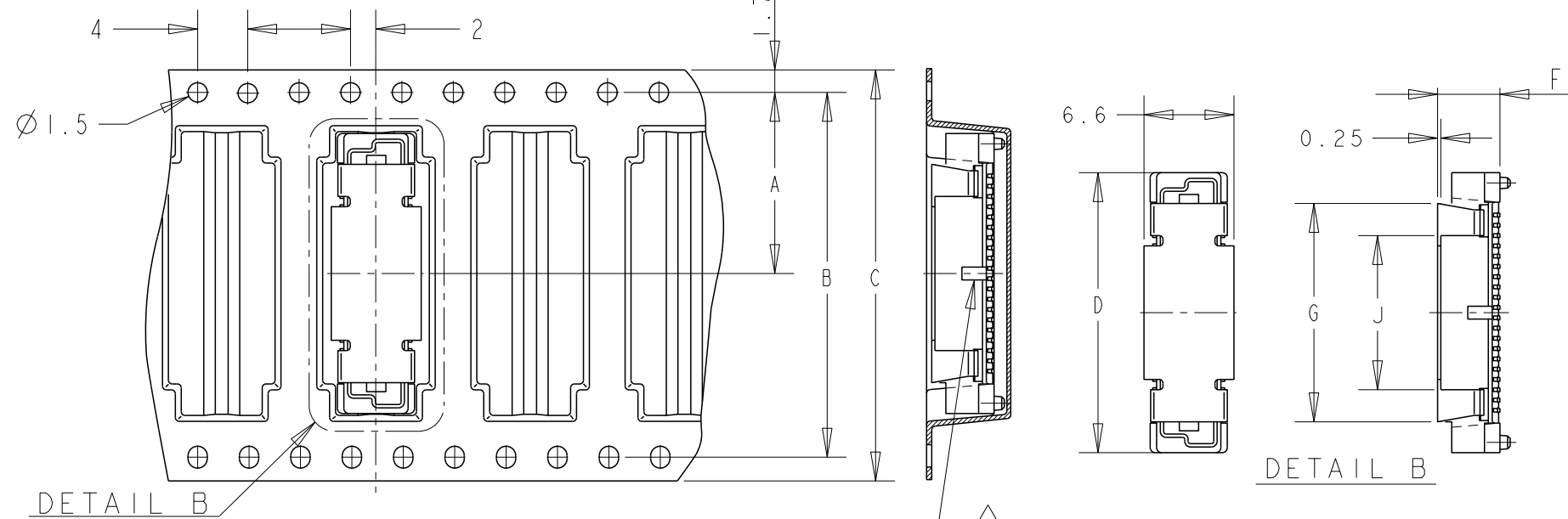
I.T.W.H

Notes:

- 1 CUTOUT FEATURE AVAILABLE ONLY ON 5H ASSY P/N -1 (40P) AND -2 (60P).
- 2 0.00038 MIN GOLD PLATING (15u INCHES GOLD PLATING)
- 3 CONNECTOR DIMENSIONS REFERENCED FROM DRAWING WHICH CONN. P/NS BASED

HALOGEN FREE

DIRECTION OFF TOP OF REEL



0.00076 MIN GOLD PLATING (30u INCHES GOLD PLATING)	450	16				61.8	88	84.4	42.2	140	1-	-6	7-	-6
						53.8				120	1-	-5	7-	-5
						45.8	72	68.4	34.2	100	1-	-4	7-	-4
						37.8	56	52.4	26.2	80	1-	-3	7-	-3
						29.8	44	40.4	20.2	60	1-	-2	7-	-2
	700	7H	12	6.85	7.25	21.8	32	28.4	14.2	40	1-5179030-1	7-5177986-1		
						69.8				160		-8	6-	-8
						61.8	88	84.4	42.2	140		-6	6-	-6
						53.8				120		-5	6-	-5
						45.8	72	68.4	34.2	100		-4	6-	-4
550		16			37.8	56	52.4	26.2	80		-3	6-	-3	
					29.8	44	40.4	20.2	60		-2	6-	-2	
800	6H	12	5.85	6.25	21.8	32	28.4	14.2	40	5084615-1	6-5177986-1			
					85.8	104	100.4	50.2	200	1-	-0	5-	-0	
					69.8				160		-8	5-	-8	
					61.8	88	84.4	42.2	140		-6	5-	-6	
					53.8				120		-5	5-	-5	
650		16			45.8	72	68.4	34.2	100		-4	5-	-4	
					37.8	56	52.4	26.2	80		-3	5-	-3	
					29.8	44	40.4	20.2	60		-2	5-	-2	
900	5H	12	4.85	5.25	21.8	32	28.4	14.2	40	5084614-1	5-5177986-1			
					85.8				200	1-	-0	4-	-0	
					77.8	104	100.4	50.2	180		-9	3-	-9	
					69.8				160		-8	3-	-8	
					61.8	88	84.4	42.2	140		-6	3-	-6	
					53.8				120		-5	3-	-5	
400		16			45.8	72	68.4	34.2	100		-4	3-	-4	
					37.8	56	52.4	26.2	80		-3	3-	-3	
					29.8	44	40.4	20.2	60		-2	3-	-2	
600	8H	12	7.85	8.25	21.8	32	28.4	14.2	40	5179031-1	3-5177986-1			
					85.8				200	1-	-0	3-	-0	
					77.8	104	100.4	50.2	180		-9	2-	-9	
					69.8				160		-8	2-	-8	
					61.8	88	84.4	42.2	140		-6	2-	-6	
					53.8				120		-5	2-	-5	
450		16			45.8	72	68.4	34.2	100		-4	2-	-4	
					37.8	56	52.4	26.2	80		-3	2-	-3	
					29.8	44	40.4	20.2	60		-2	2-	-2	
700		12			21.8	32	28.4	14.2	40	5179030-1	2-5177986-1			
					85.8				200	1-	-0	3-	-0	
					77.8	104	100.4	50.2	180		-9	2-	-9	
					69.8				160		-8	2-	-8	
					61.8	88	84.4	42.2	140		-6	2-	-6	
					53.8				120		-5	2-	-5	
500	7H	16	6.85	7.25	21.8	32	28.4	14.2	40	5179030-1	2-5177986-0			
					85.8				200	1-	-0	3-	-0	
					77.8	104	100.4	50.2	180		-9	2-	-9	
					69.8				160		-8	2-	-8	
					61.8	88	84.4	42.2	140		-6	1-	-6	
					53.8				120		-5	1-	-5	
550		16			45.8	72	68.4	34.2	100		-4	1-	-4	
					37.8	56	52.4	26.2	80		-3	1-	-3	
					29.8	44	40.4	20.2	60		-2	1-	-2	
800	6H	12	5.85	6.25	21.8	32	28.4	14.2	40	5179029-1	1-5177986-1			
					69.8				160		-8		-8	
					61.8	88	84.4	42.2	140		-6		-6	
					53.8				120		-5		-5	
					45.8	72	68.4	34.2	100		-4		-4	
					37.8	56	52.4	26.2	80		-3		-3	
					29.8	44	40.4	20.2	60		-2		-2	
900	5H	12	4.85	5.25	21.8	32	28.4	14.2	40	5177984-1	5177986-1			
					85.8				200	1-	-0	4-	-0	
					77.8	104	100.4	50.2	180		-9	3-	-9	
					69.8				160		-8	3-	-8	
					61.8	88	84.4	42.2	140		-6	3-	-6	
					53.8				120		-5	3-	-5	
650		16			45.8	72	68.4	34.2	100		-4	3-	-4	
					37.8	56	52.4	26.2	80		-3	3-	-3	
					29.8	44	40.4	20.2	60		-2	3-	-2	

THIS DRAWING IS A CONTROLLED DOCUMENT.

DWN FLORENCE TAN 30AUG04
CHK ERIC TNG
APVD SE LEONG
PRODUCT SPEC 108-5390
APPLICATION SPEC 114-5254
WEIGHT -

STE TE Connectivity

NAME: PLUG ASSEMBLY (0.5 BOSS LENGTH) FOR FH 0.8 B-T-B CONN. ON TAPING

SIZE: A3 CAGE CODE: 00779 DRAWING NO: C-5177986 RESTRICTED TO: -

CUSTOMER DRAWING SCALE: 2:1 SHEET 1 OF 1 REV: E4